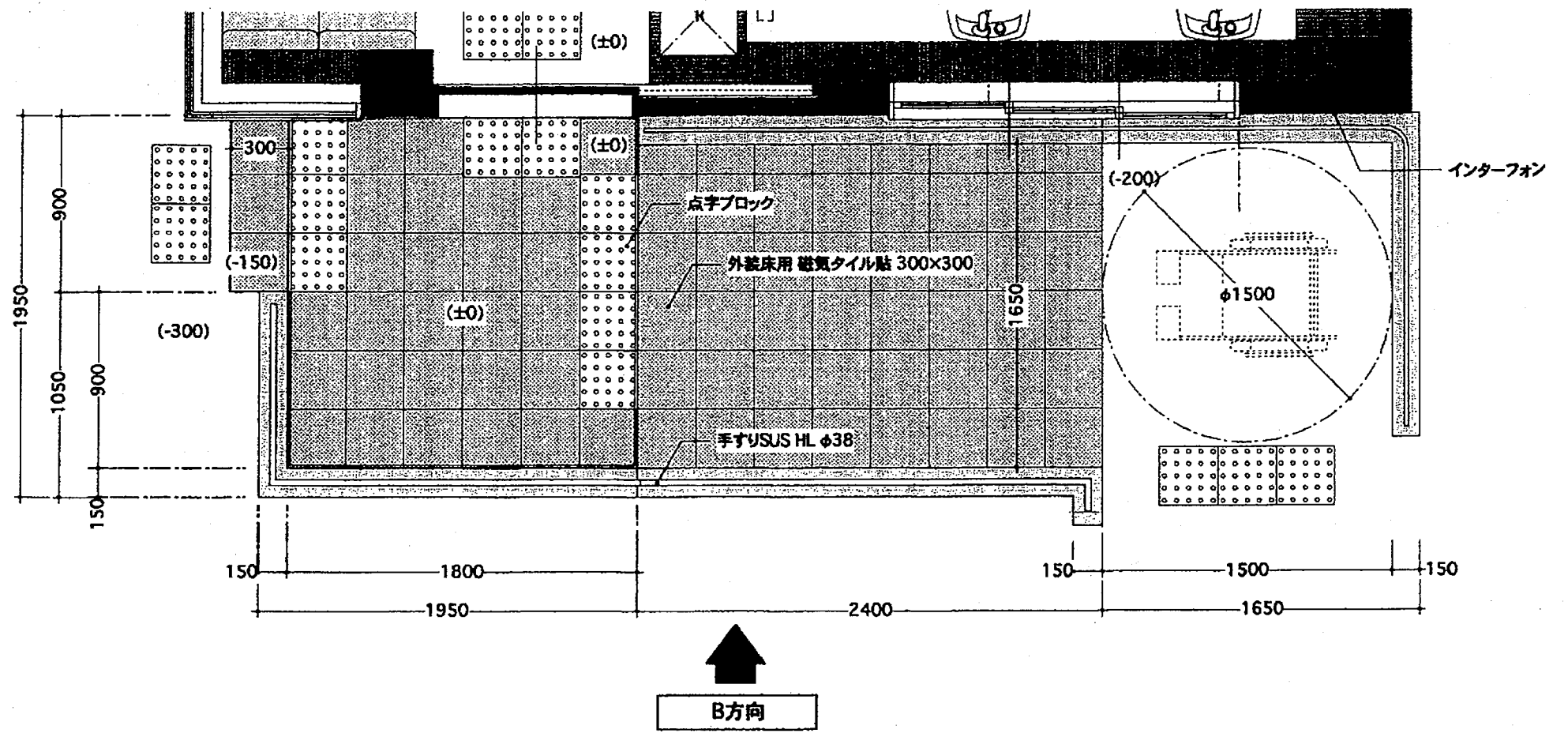
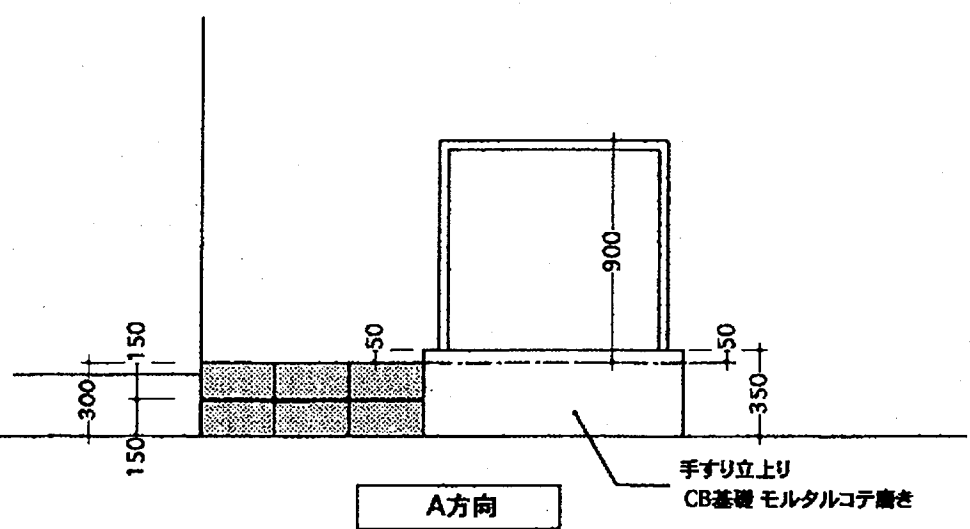


| | | | | | | | |
|------|---------|-------------------|-------|------------|----------|---------|-----|
| Note | Title | Hair Salon MoomiN | Scale | 1:50 | Checked | Checked | No. |
| | Subject | 駐車スペース | Date | 2012.02.29 | Designed | Drawn | |
| | | | | | Mine | Kimura | |

A方向

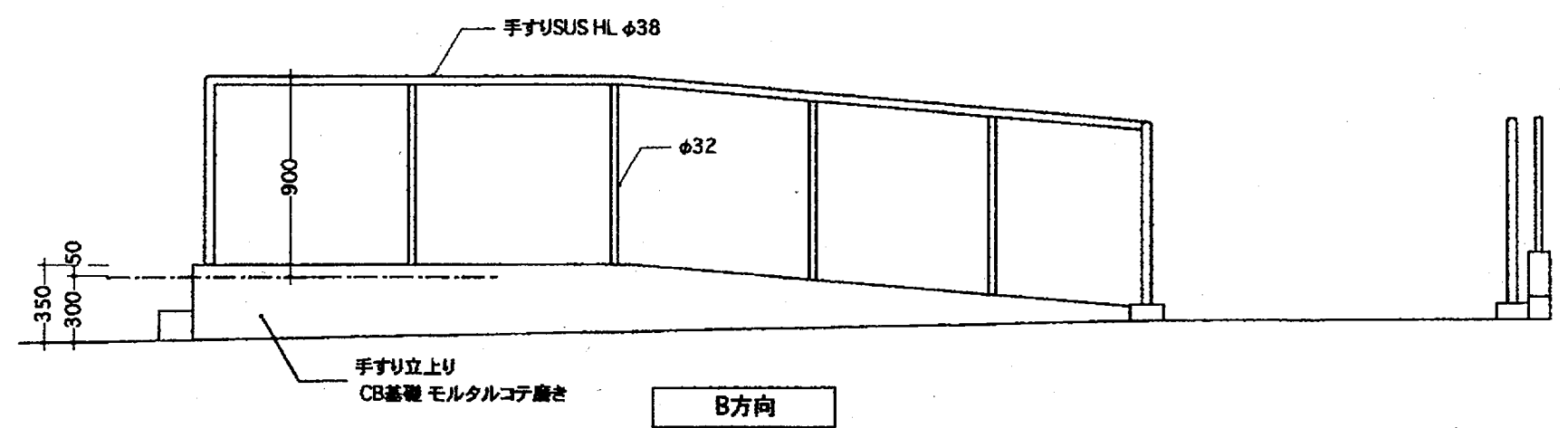


B方向



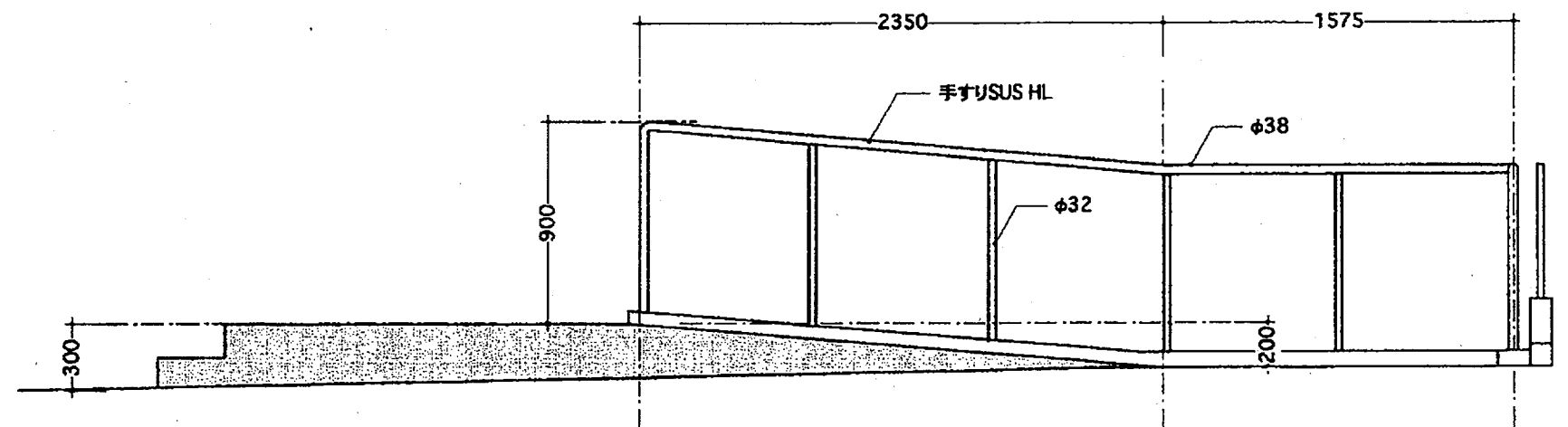
A方向

手すり立上り
CB基礎 モルタルコテ磨き

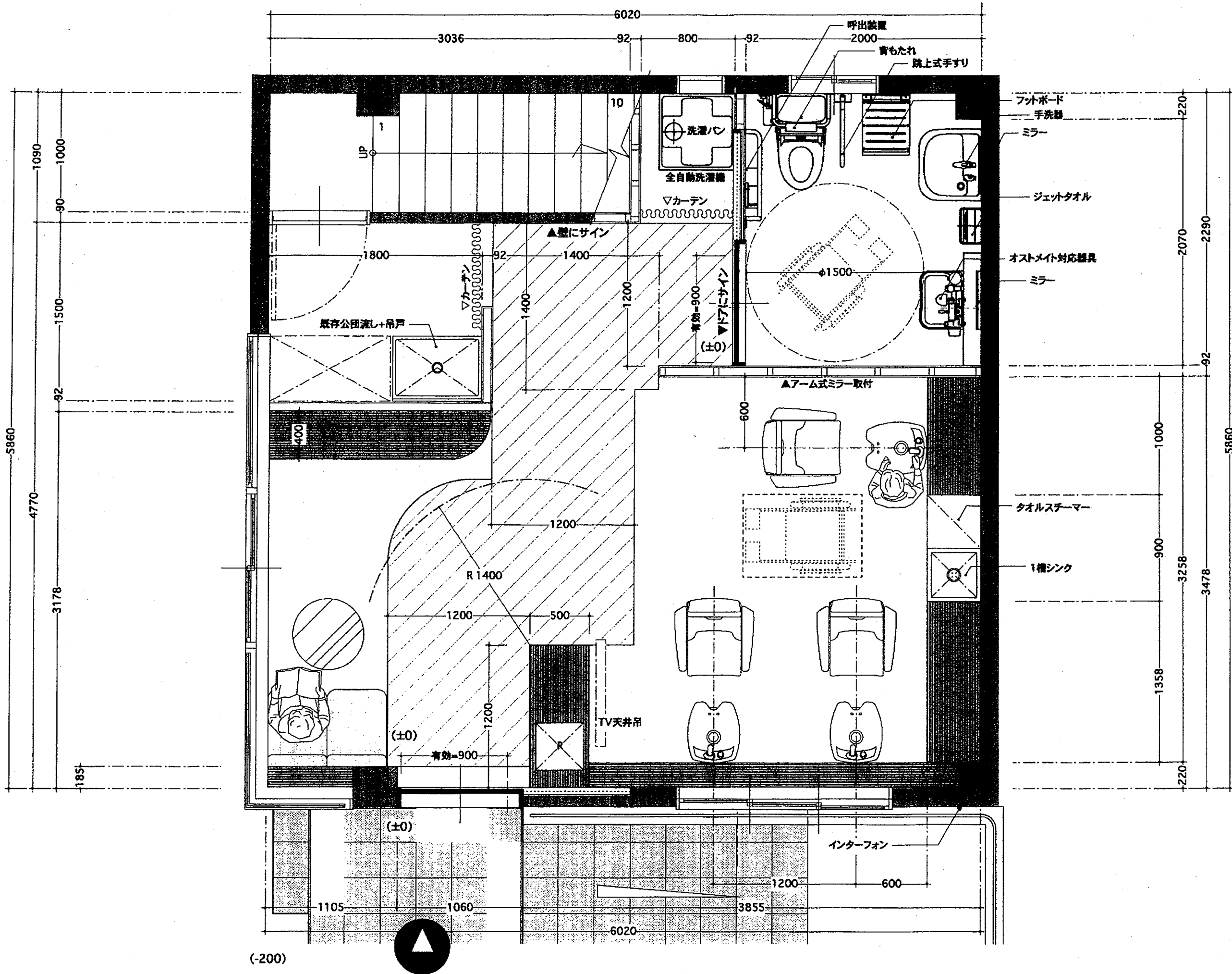


B方向

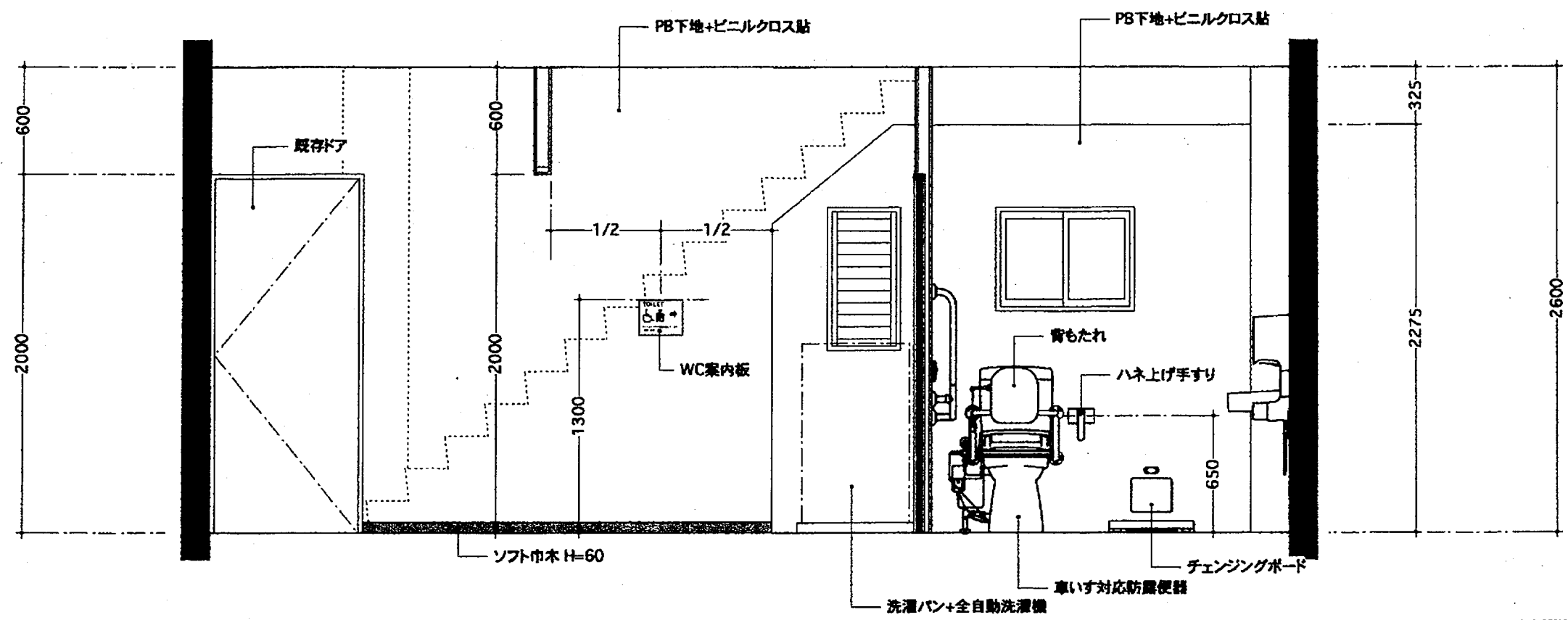
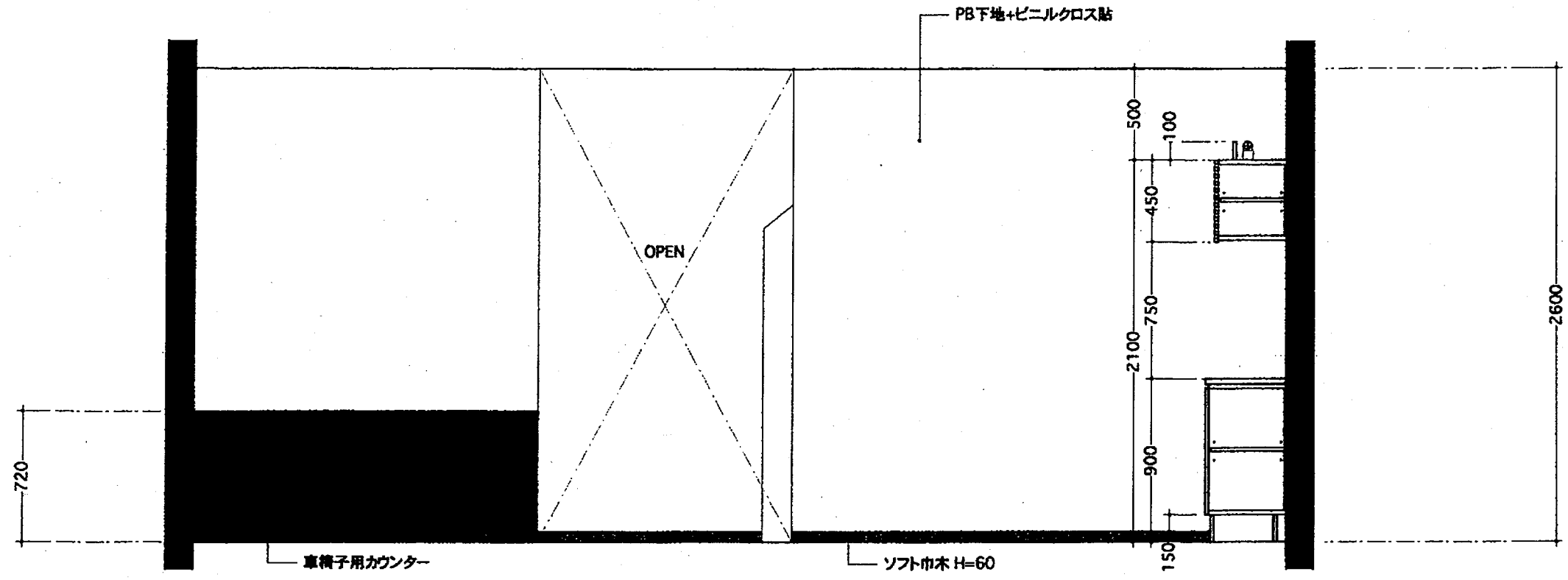
手すり立上り
CB基礎 モルタルコテ磨き



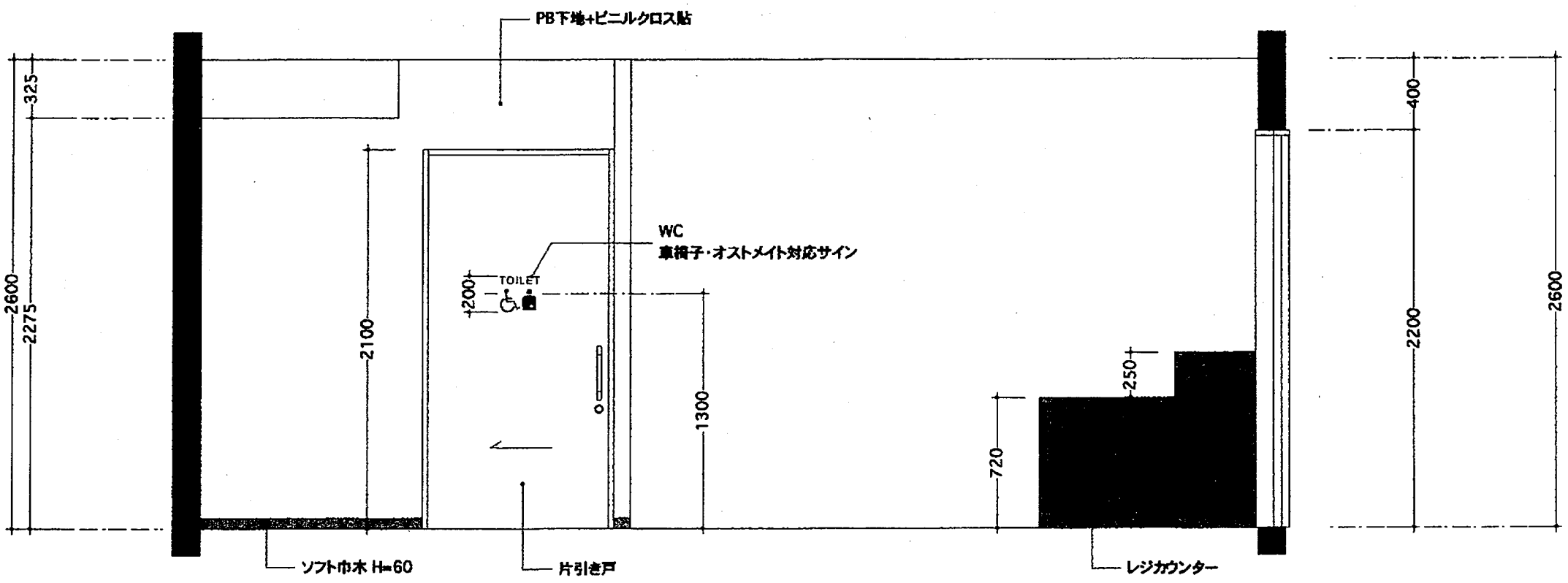
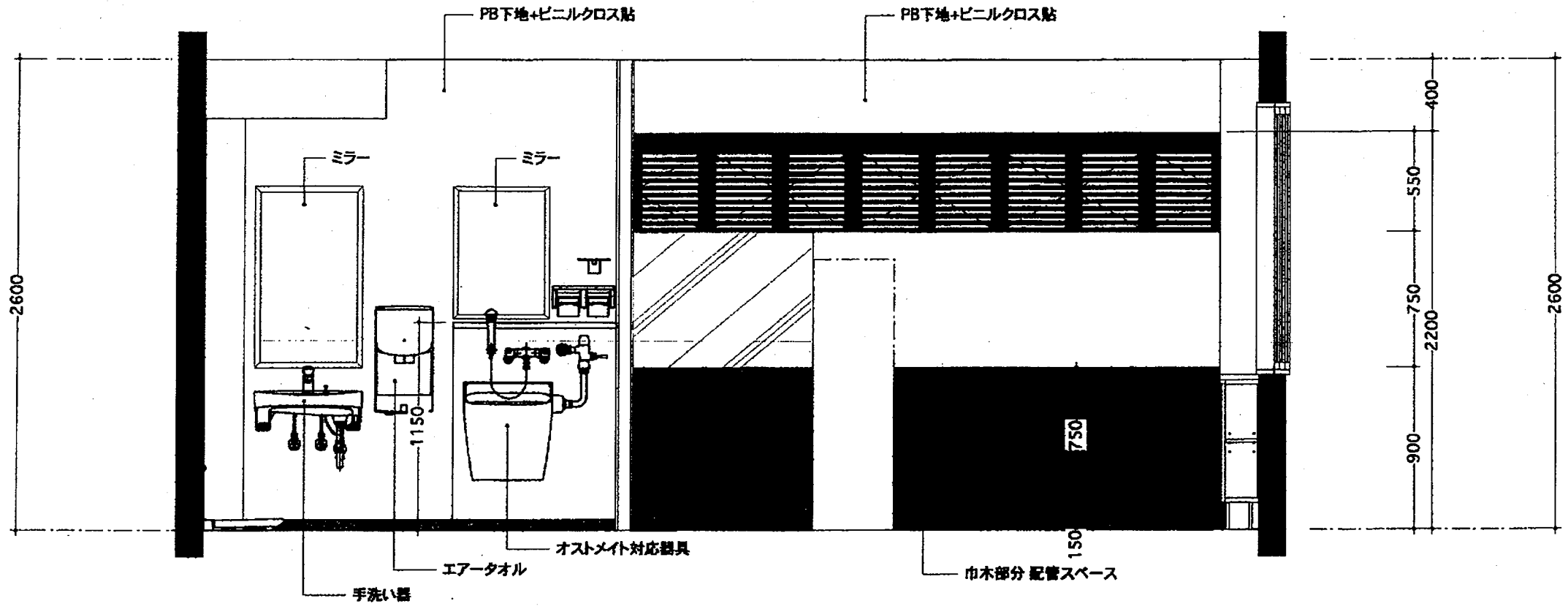
| | | | | | | | |
|------|---------|-------------------|-------|------------|----------|---------|-----|
| Note | Title | Hair Salon MoomiN | Scale | 1:30 | Checked | Checked | No. |
| | Subject | ポーチ | Date | 2012.02.29 | Designed | Mine | |



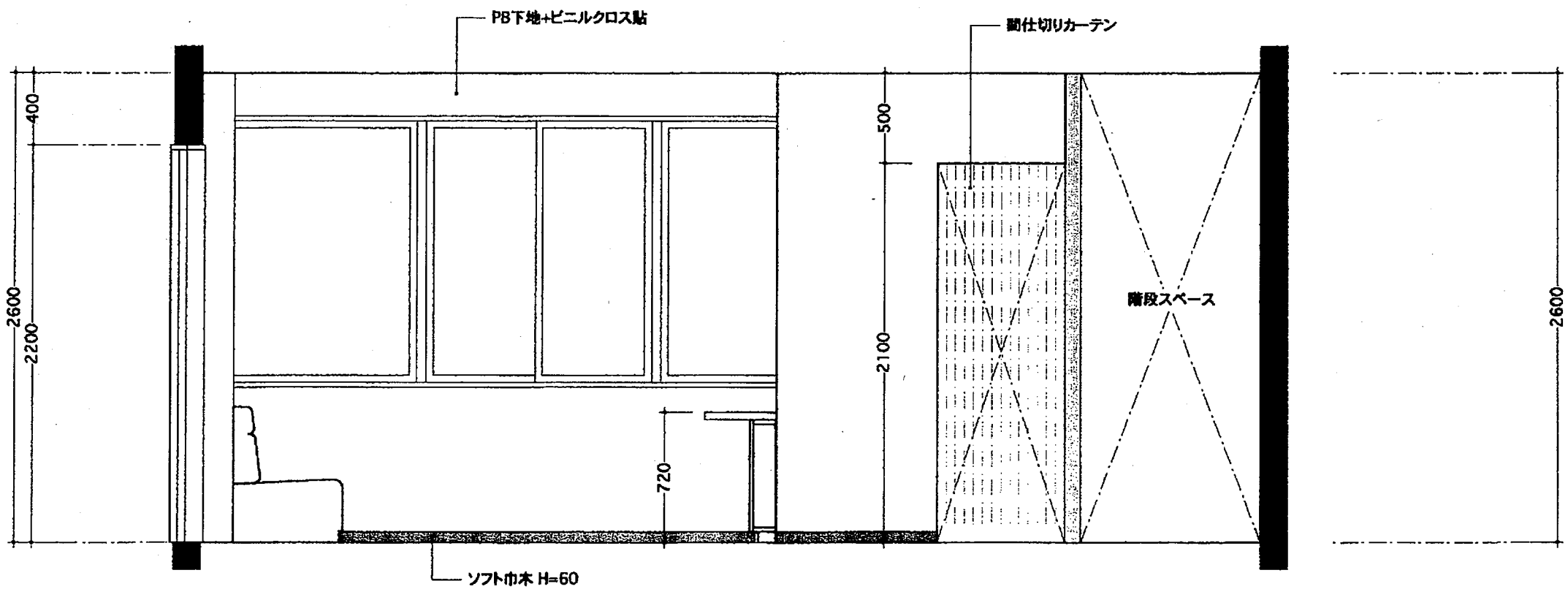
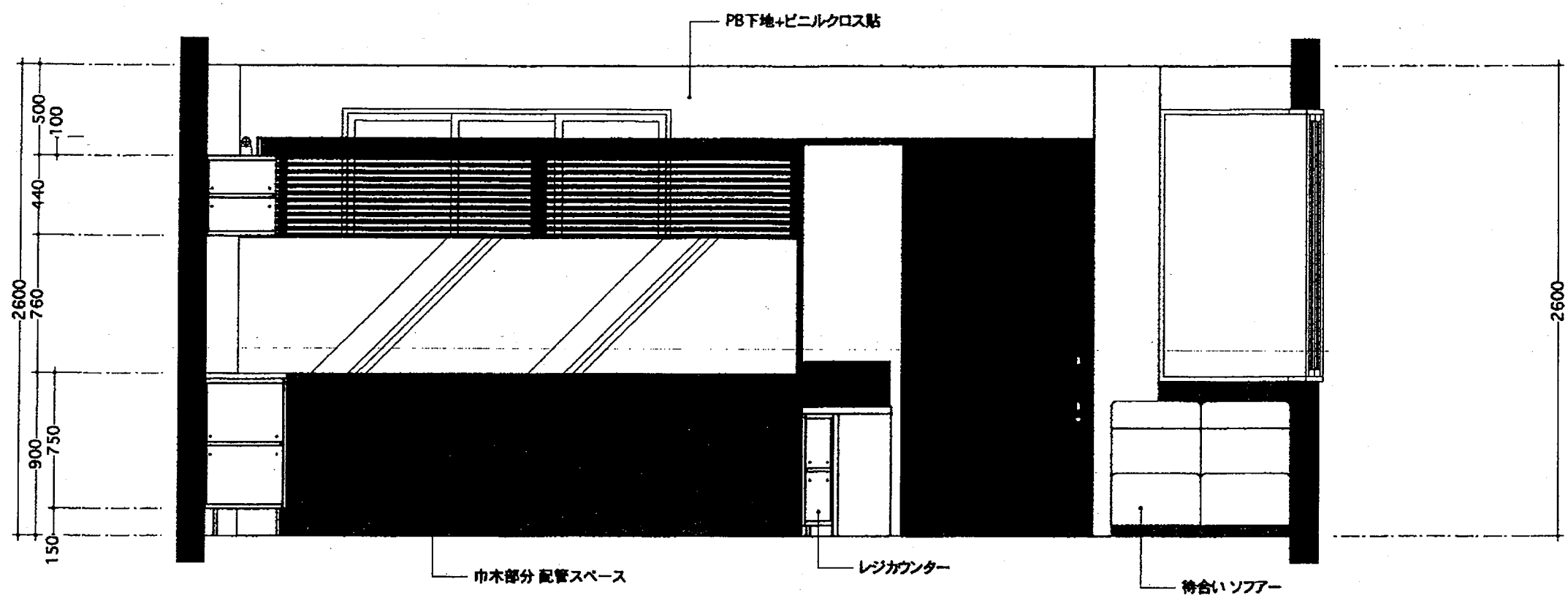
| | | | | | | | |
|------|---------|-------------------|-------|------------|----------|---------|-----|
| Note | Title | Hair Salon Moomin | Scale | 1:30 | Checked | Checked | No. |
| | Subject | 平面図 | Date | 2012.02.29 | Designed | Mine | |



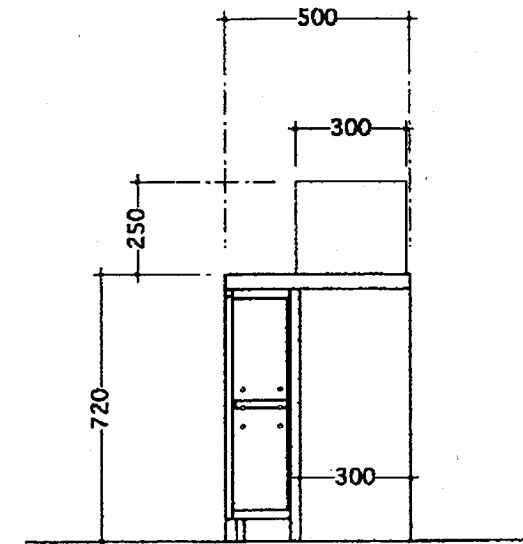
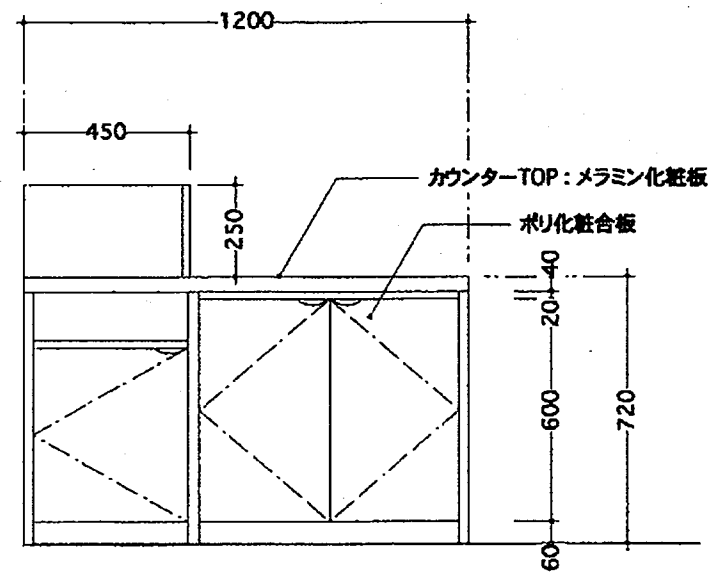
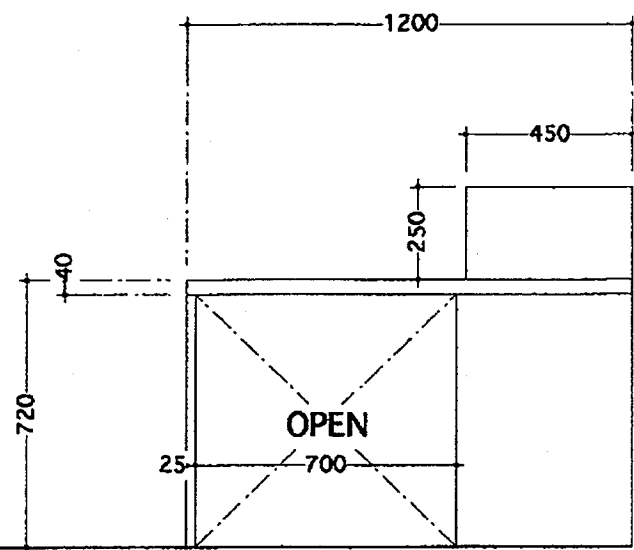
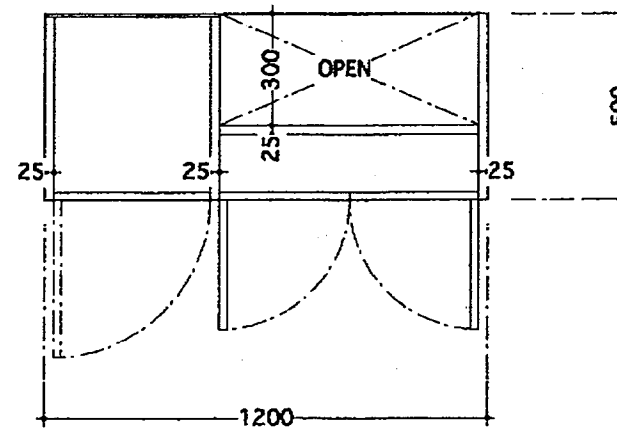
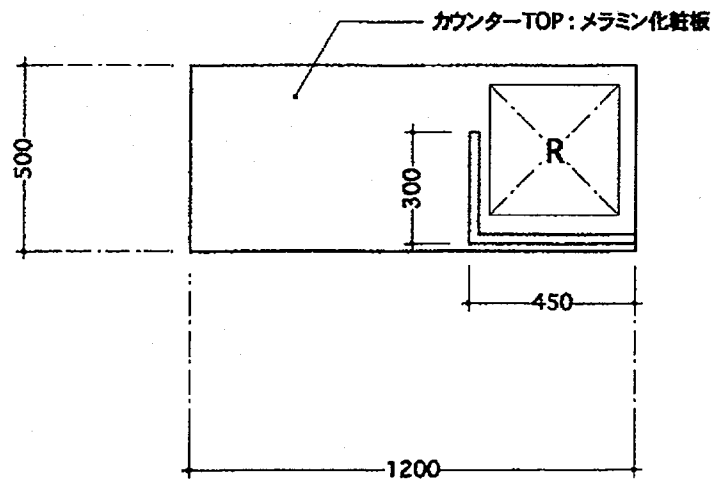
| | | | | | | |
|------|---------|-------------------|-------|------------|---------------|-----|
| Note | Title | Hair Salon MoomiN | Scale | Checked | Checked | No. |
| | Subject | 展開図1 | Date | 2012.02.29 | Designed Mine | |



| | | | | | | |
|------|---------|-------------------|-------|------------|---------------|-----|
| Note | Title | Hair Salon MoomiN | Scale | Checked | Checked | No. |
| | Subject | 展開図2 | Date | 2012.02.29 | Designed Mine | |



| | | | | | | |
|------|---------|-------------------|-----------------|---------------|--------------|-----|
| Note | Title | Hair Salon MoomiN | Scale | Checked | Checked | No. |
| | Subject | 展開図3 | Date 2012.02.29 | Designed Mine | Drawn Kimura | |



| | | | | | | | |
|------|---------|-------------------|-------|------------|----------|---------|-----|
| Note | Title | Hair Salon MoomiN | Scale | 1:20 | Checked | Checked | No. |
| | Subject | レジカウンター 製作図 | Date | 2012.02.29 | Designed | Mine | |